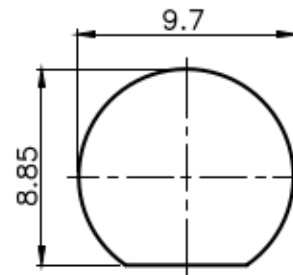
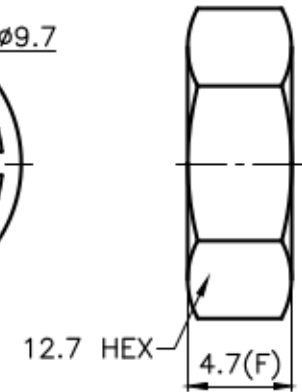
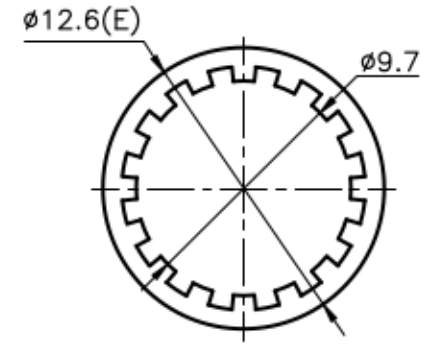
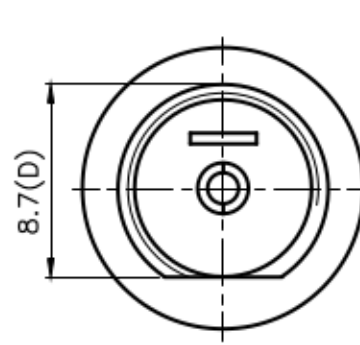
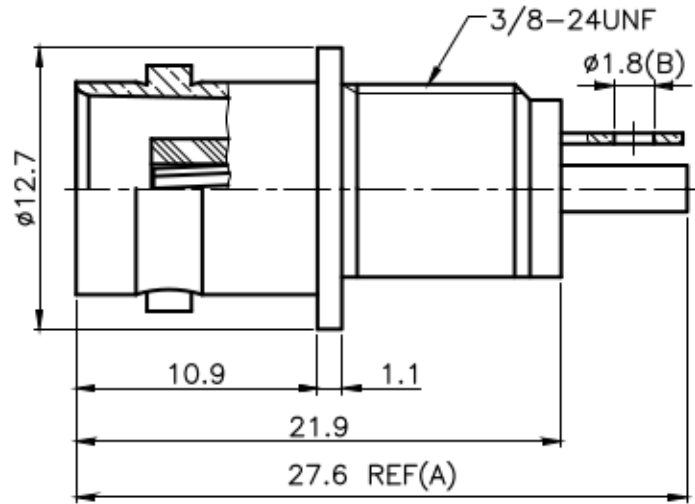
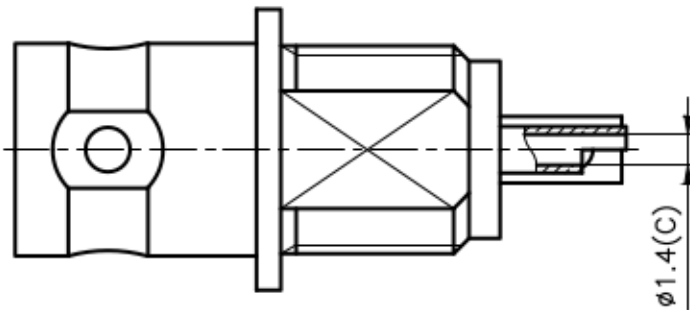


REVISIONS	
ISS	DESCRIPTION \ DATE
1	

RoHS COMPLIANT



PANEL HOLE



TITLE: BNC RECEPTACLE IF TYPE (50 ohms)		CHKD:	UNLESS OTHERWISE SPECIFIED TOLERANCES 0.5-6 = ±0.2 >6-30 = ±0.4 >30-120 = ±0.6 >120-315 = ±1 >315-1000 = ±1.6 ANGLES = ±5°	NUT	BRASS	NICKEL
		DR:		WASHER	STEEL	NICKEL
PART NO:	DATE:	UNIT: mm	GROUND TAG	BRASS	NICKEL	
DRAWING NO:	SHEET: .	SCALE: 3/1	CONTACT PIN	PHOSPHOR BRONZE	GOLD	
032			INSULATOR	DELTRIN	WHITE	
			BODY	BRASS	NICKEL	
			NO. DESCRIPTION	MATERIAL	FINISH	